



S-Flexi

About Schneider Electric

As the global specialist in energy management with operations in more than 100 countries, Schneider Electric offers integrated solutions across multiple market segments, including leadership positions in energy and infrastructure, industrial processes, building automation, and data centres/networks, as well as a broad presence in residential applications. Focused on making energy safe, reliable, and efficient, the company's 110,000 plus employees achieved sales of 19.6 billion euros in 2010, through an active commitment to help individuals and organizations "Make the most of their energy".

The LifeSpace Business of Schneider Electric provides solutions that represent the best in lifestyle and innovation for offices, hotels and homes. These solutions include award-winning products in the areas of building and home automation, structured cabling, and designer switches and sockets. They help the finest architectures around the world to achieve more with less.

www.schneider-electric.com

SEO23-0511-00



Tools arm the man...

The Right Tool For You

Engineered to deliver the highest level of versatility in installation and combination of modules, S-Flexi is just another masterpiece by Schneider Electric demonstrating a perfect blend of the functional and aesthetic elements in electrical accessories for the contemporary homes. The FlexiFix module-mounting design and the standardised sizing modules combined to work best for you in creating your own switch and socket.

S-Flexi Switches and Sockets is undoubtedly the right tool for the one with his own plan to optimise electrical wiring.

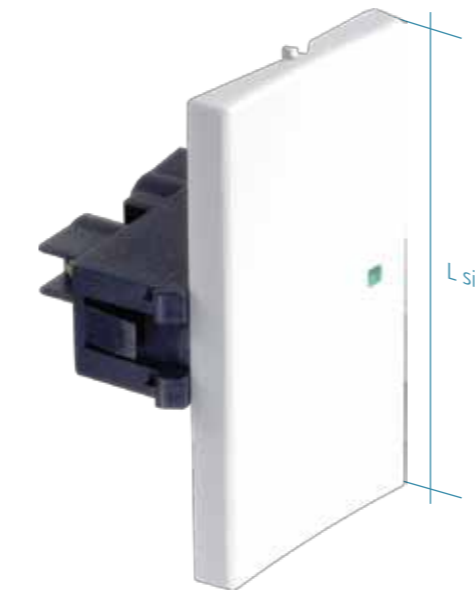


Sleek Design For Your Eyes' Delight

Schneider Electric always take one more step to make functionality look stylish. The combination of classic white colour and streamline design is a testimonial of simple elegance. Better still, S-Flexi with FlexiFix helps you put up as many or as less wall plates as the interior design calls for.

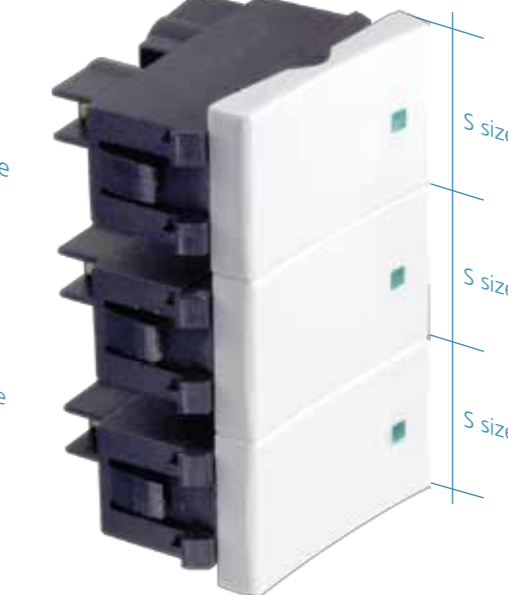
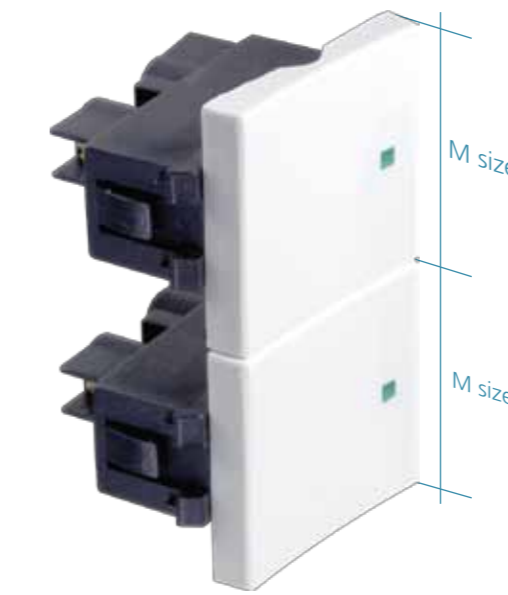
Easy to install

The unique FlexiFix module-mounting design allows you to position the modules anywhere along the inner slots of the grid plate. This, together with the standardised sizing of the modules, gives you an interchangeable modular system with insurmountable flexibility to create your switches and sockets the way you want them.



You Make It How You Want It To Be

With a range of switch and socket modules of various functions and created in such standard sizes as Large (L), Medium (M), Small (S) and Extra Small (XS), S-Flexi enables you to optimise your needs and fully utilise every inch of every wall plate.



Durable and Safe

Made with high quality Polycarbonate (PC) materials, S-Flexi switches and sockets are virtually unbreakable. They are tested to comply with the IEC safety standards, ensuring maximum safety and reliability.



Switches (Complete Unit)	Product Number	Product Description
	F1051	16A 250V 1 Gang 1 Way Switch, Vertical
	F1051H	16A 250V 1 Gang 1 Way Switch, Horizontal
	F1051/2	16A 250V 1 Gang 2 Way Switch, Vertical
	F1051/2H	16A 250V 1 Gang 2 Way Switch, Horizontal
	F1052	16A 250V 2 Gang 1 Way Switch, Vertical
	F1052H	16A 250V 2 Gang 1 Way Switch, Horizontal
	F1052/2	16A 250V 2 Gang 2 Way Switch, Vertical
	F1052/2H	16A 250V 2 Gang 2 Way Switch, Horizontal
	F1053	16A 250V 3 Gang 1 Way Switch, Vertical
	F1053H	16A 250V 3 Gang 1 Way Switch, Horizontal
	F1053/2	16A 250V 3 Gang 2 Way Switch, Vertical
	F1053/2H	16A 250V 3 Gang 2 Way Switch, Horizontal
	F1054	16A 250V 4 Gang 1 Way Switch, Vertical
	F1054H	16A 250V 4 Gang 1 Way Switch, Horizontal
	F1054/2	16A 250V 4 Gang 2 Way Switch, Vertical
	F1054/2H	16A 250V 4 Gang 2 Way Switch, Horizontal
	F1051MIA	16AX 250V Intermediate Switch, Vertical
	F1051MIAH	16AX 250V Intermediate Switch, Horizontal

Flush Plates / Surrounds / Grid Plate	Product Number	Product Description
	FG1050	1 Gang Mid-Sized Flush Plate, Vertical (M size)
	FG1050H	1 Gang Mid-Sized Flush Plate, Horizontal (M size)
	FG1051	1 Gang Flush Plate, Vertical (S size)
	FG1051H	1 Gang Flush Plate, Horizontal (S size)
	FG1052	2 Gang Flush Plate, Vertical (S size)
	FG1052H	2 Gang Flush Plate, Horizontal (S size)
	FG1054	4 Gang Flush Plate, Vertical (XS size)
	FG1054H	4 Gang Flush Plate, Horizontal (XS size)
	FTG1058	8 Gang Flush Plate, Vertical (XS size)
	FTG1058H	8 Gang Flush Plate, Horizontal (XS size)
	FS1050H	1 Gang Mid-Sized Surround, Horizontal (M size)
	FS1051H	1 Gang Surround, Horizontal (S size)
	FS1052H	2 Gang Surround, Horizontal (S size)
	FS1054H*	4 Gang Surround, Horizontal (XS size)
	F1054F	4 Gang Grid Plate, White

*Colour Availability : Burgundy(BF), Champagne(CF), Soft Grey(GF), Pearl(PF), Silver(SF)

Switch Mechanism	Product Number	Product Description
	F50M4	16A 250V 1 Gang 1 Way Switch (L size)
	F50/2M4	16A 250V 1 Gang 2 Way Switch (L size)
	F50M2	16A 250V 2 Gang 1 Way Switch (M size)
	F50/2M2	16A 250V 2 Gang 2 Way Switch (M size)
	F50M1.5	16A 250V 3 Gang 1 Way Switch (S size)
	F50/2M1.5	16A 250V 3 Gang 2 Way Switch (S size)
	F50M1	16A 250V 4 Gang 1 Way Switch (XS size)
	F50/2M1	16A 250V 4 Gang 2 Way Switch (XS size)
	F50BPM4	10A 250V Bell Push 4 Switch, (L size)
	F50BPM2	10A 250V Bell Push 2 Switch, (M size)
	F50BPM1.5H	10A 250V Bell Push 3 Switch, (S size)
	F50RD400M	400W Light Dimmer
	F50FC250M	250W Fan Speed Controller

Socket Mechanism	Product Number	Product Description
	F1426USM	10A 250V 2 Pin Universal Socket Outlet with Shutter
	F1426UAM	13A 250V International Socket Outlet
	F1426UESM	16A 250V 3 Pin Universal Socket Outlet with Shutter
	F50TVM	TV Co-axial Outlet
	F50RJ6M	6 Pin RJ12 Telephone Outlet
	F50RJ8M	Cat 5 Data Connection Outlet
	F50RJ5EM	Cat 5e Data Connection Outlet
	F50RJ8M6	Cat 6 Data Connection Outlet

Accessories	Product Number	Product Description
	F50NM2-RD	10A 250V Neon Indicator (Red Colour)
	F50XM2	Blank Plate (M size)
	F50XM1	Blank Plate (XS size)